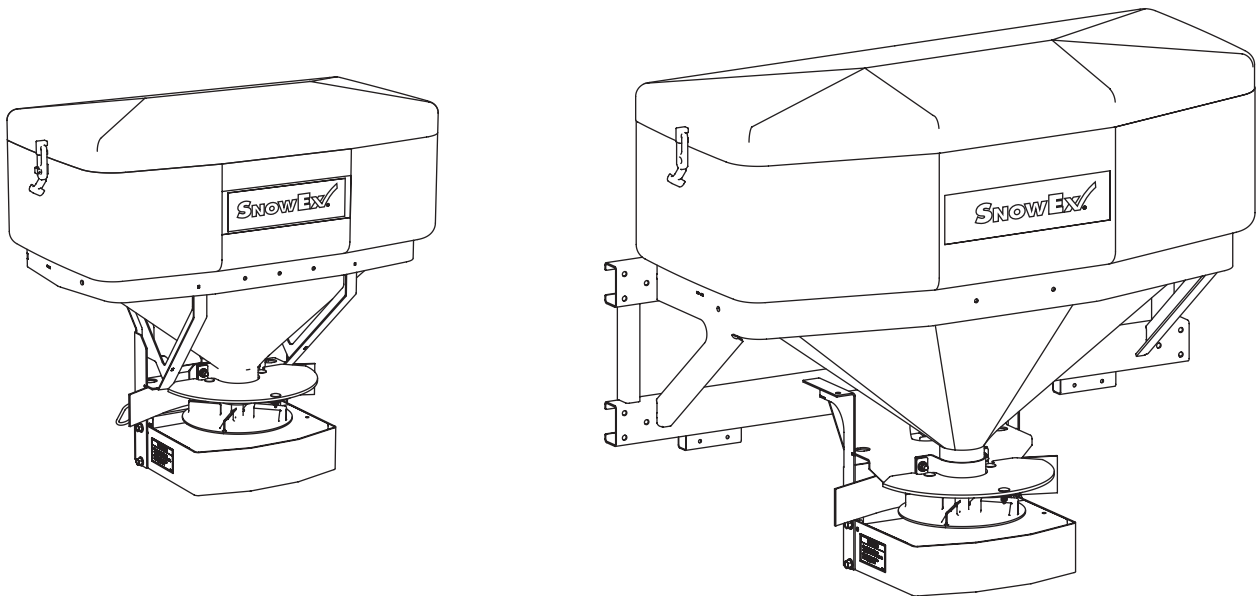




Pro 575X, Pro 1075X Single-Stage Tailgate Spreader

SP-575X-1, SP-1075X-1

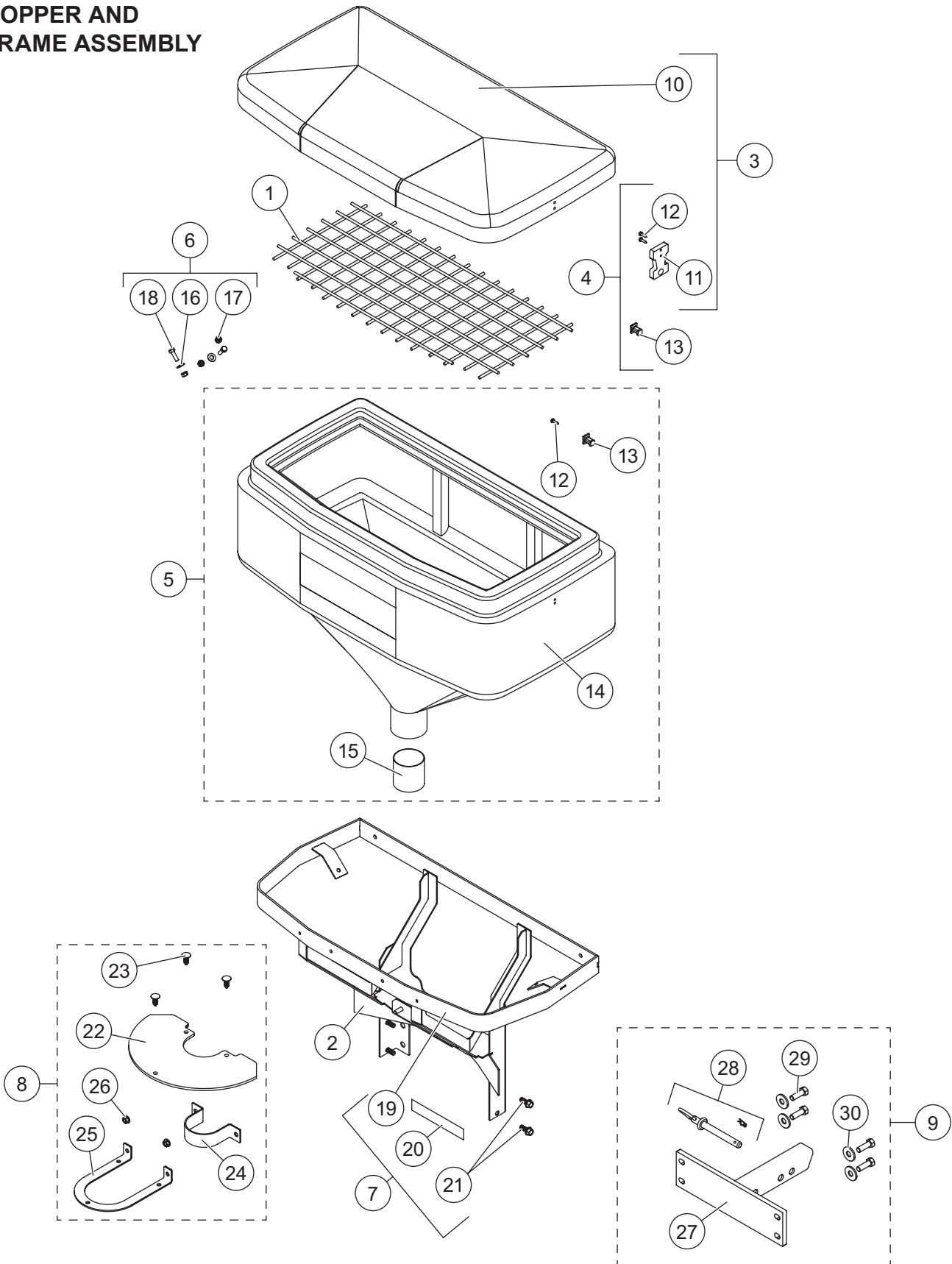
Parts List



This Parts List is for SnowEx® Pro spreaders with serial numbers beginning with 160501 and higher.

Pro 575X TAILGATE SPREADER

HOPPER AND FRAME ASSEMBLY

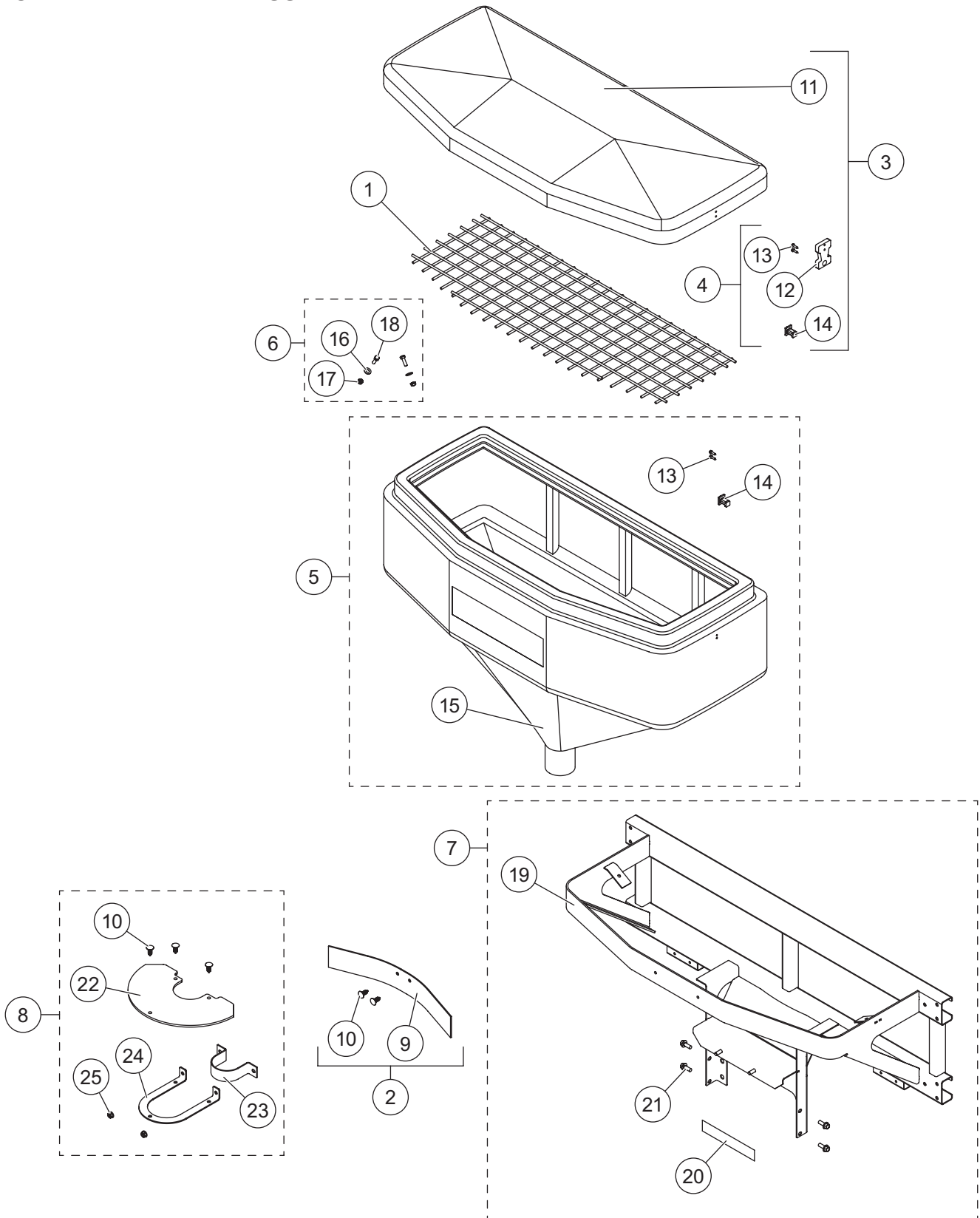


Pro 575X TAILGATE SPREADER

Hopper & Frame Assembly							
Item	Part	Qty	Description	Item	Part	Qty	Description
1	75636	1	Top Screen Kit, SP-575X	6	75614	1	Hopper Hardware Kit
2	75646	1	Deflector Kit	7	75632	1	Frame Kit, SP-575X
3	75630	1	Lid Kit	8	75639	1	CE Shroud Kit
4	75612	1	Hopper Strap Kit	9	75633	1	Receiver Kit
5	75631	1	Hopper Kit, SP-575X	ns	95059*	1	Vibrator Kit
Item 3				75630 Lid Kit			
10		1	Hopper Lid Assy	12		4	#10 x 3/4 Slotted Cap Screw
11	D6105	2	Flexible Draw Latch				
Item 4				75612 Hopper Strap Kit			
11	D6105	2	Flexible Draw Latch	13	D6198	2	Latch Keeper
12		6	#10 x 3/4 Slotted Cap Screw				
Item 5				75631 Hopper Kit, SP-575X			
14		1	Hopper Assy, Yellow	13	D6198	2	Latch Keeper
15		1	Throat Liner, Stainless Steel	12		2	#10 x 3/4 Slotted Cap Screw
Item 6				75614 Hopper Hardware Kit			
16		2	3/8 Flat Washer	18		2	5/16-18 x 1-1/4 Hex Cap Screw
17		2	5/16-18 Hex Locknut GB				
Item 7				75632 Frame Kit, SP-575X			
19		1	Main Frame, SP-575X	21		4	3/8 x 1 Hex Cap Screw
20	70441	1	Label – SP-575X				
Item 8				75639 CE Shroud Kit			
22		1	CE Shroud Tailgate	25		1	Mount Bracket, Shroud
23		3	11 mm x 28 mm x 22 mm Retainer	26		2	3/8-16 Serrated Flange Nut
24		1	Throat Clamp				
Item 9				75633 Receiver Kit			
27		1	Mount, Receiver	29		4	1/2-13 x 1-1/2 Serrated Flange
28	75620	1	5/8 x 5-1/2 Hitch Pin w/Hairpin Cotter	30		4	1/2 Lock Washer Zinc
ns = not shown				* = Accessory Only		G = Grade	

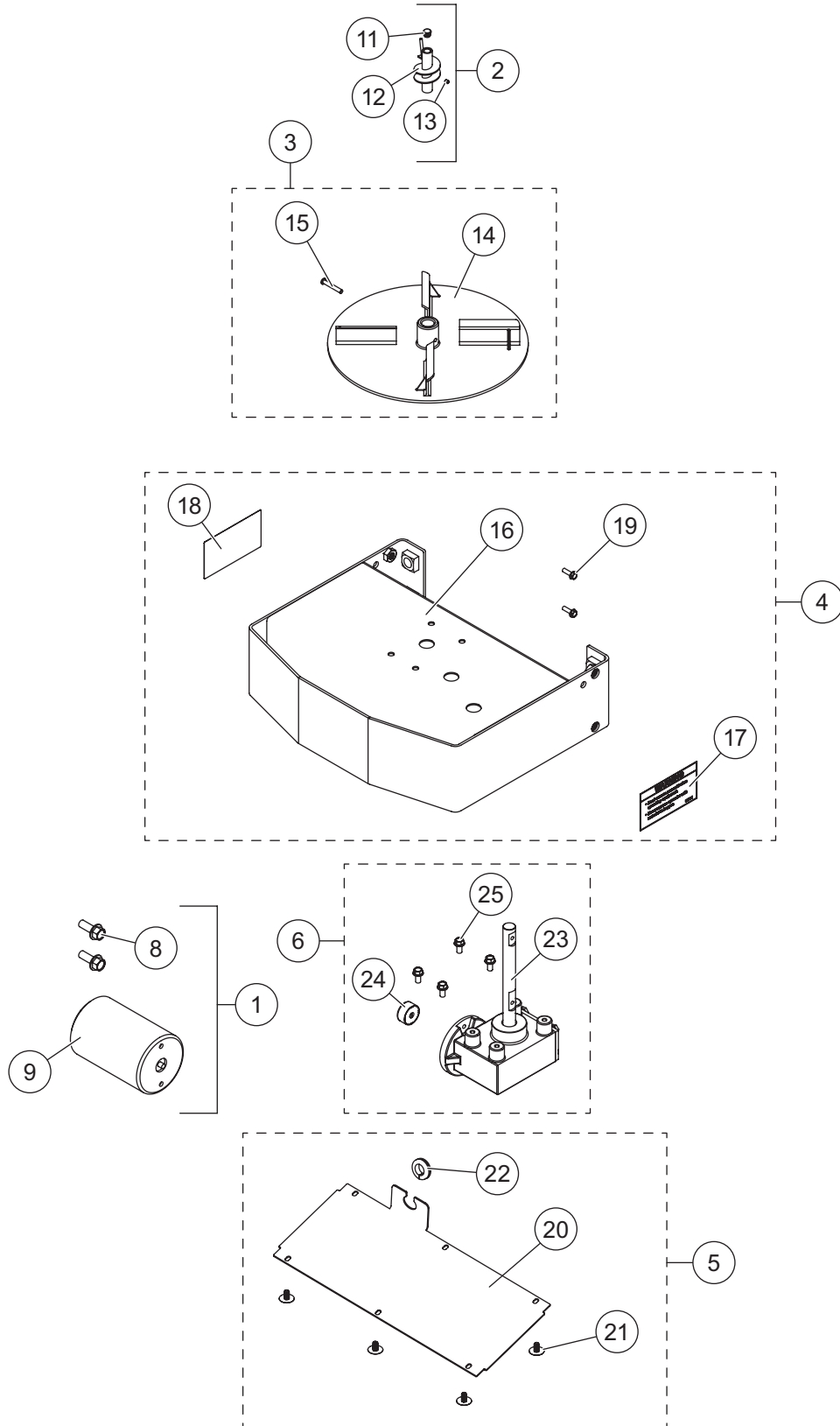
Pro 1075X TAILGATE SPREADER

HOPPER AND FRAME ASSEMBLY



Pro 575X/Pro 1075X TAILGATE SPREADER

DRIVE ASSEMBLY

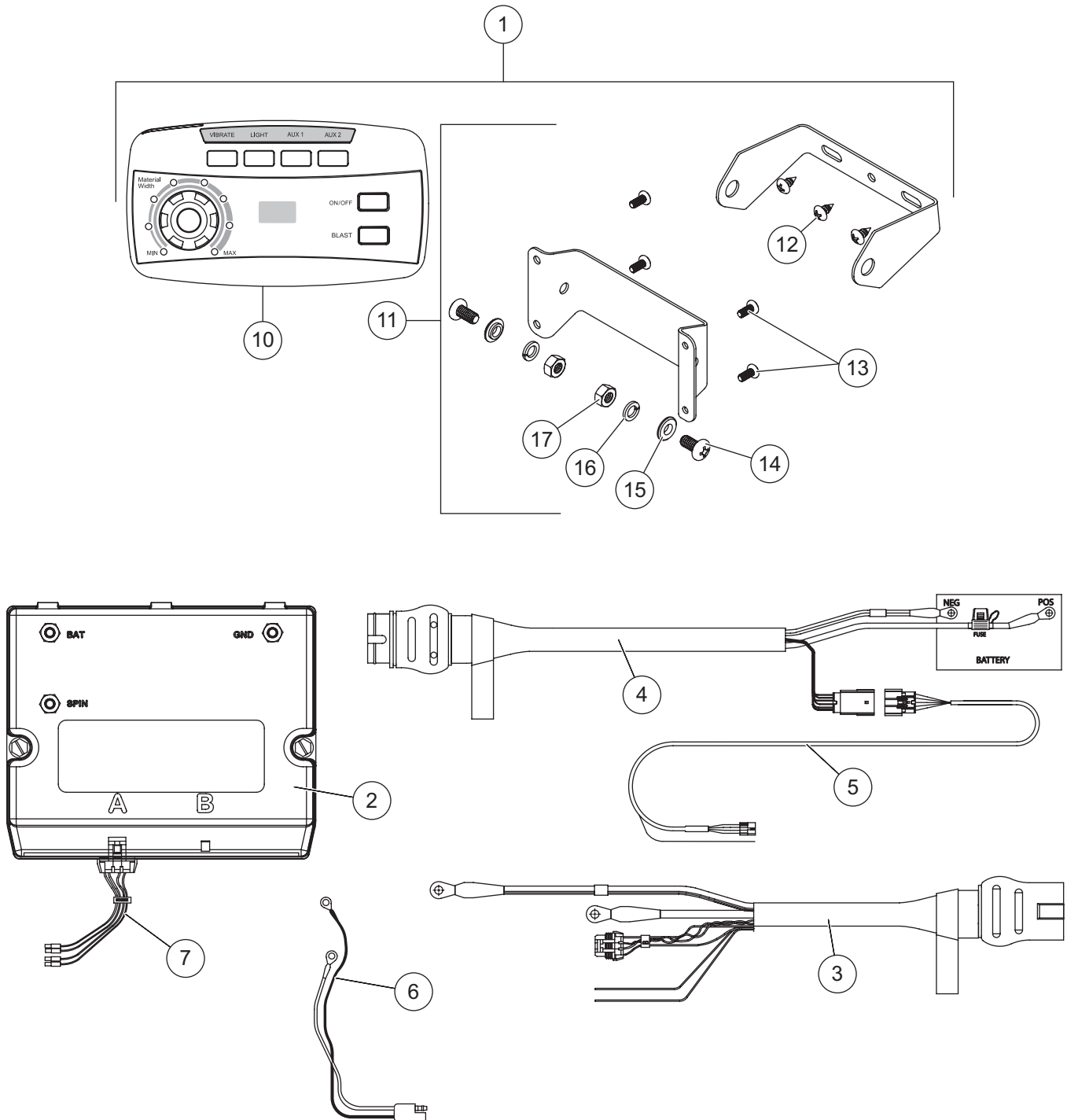


Pro 575X/Pro 1075X TAILGATE SPREADER

76599 Drive Assembly (w/o Wiring)							
Item	Part	Qty	Description	Item	Part	Qty	Description
1	75626	1	Motor Kit	4	75635	1	Transmission Enclosure Kit
2	75615	1	Auger Kit	5	57104	1	Transmission Enclosure Cover Kit
3	75618	1	Spinner Kit	6	75640	1	Transmission Kit
Item 1				75626 Motor Kit			
8		2	10-32 x 5/8 Hex Cap Screw Serrated	9	D6214	1	3 x 3.8 12V DC Motor
Item 2				75615 Auger Kit			
11	D6191	1	Auger Cap	13		1	5/16-18 x 3/8 Set Screw
12	D6075	1	Auger				
Item 3				75618 Spinner Kit			
14	D6750	1	Spinner, Poly	15	D6746	1	3/16 x 1-1/4 Clevis Pin
Item 4				75635 Transmission Enclosure Kit			
16		1	Spinner Drive Enclosure	18	75623	1	Label, Warning – Read Manual
17	75621	1	Label, Warning – Hands & Feet	19		4	3/8-16 x 1 Hex Cap Screw Serrated
Item 5				57104 Transmission Enclosure Cover Kit			
20		1	Enclosure Cover	22		1	5/8 ID Grommet
21	D6467-1	6	1/4 x 3/4 x 1/2 Retainer Black Nylon				
Item 6				75640 Transmission Kit			
23	D6107	1	Transmission 8:1	25		4	1/4-20 x 1/2 Serrated Flange SS
24	D6232	1	Motor Drive Coupler				
SS = Stainless Steel							

Pro 575X/Pro 1075X TAILGATE SPREADER

ELECTRICAL COMPONENTS



Pro 575X/Pro 1075X TAILGATE SPREADER

Electrical Components							
Item	Part	Qty	Description	Item	Part	Qty	Description
1	52465	1	Spreader Control Kit	5	69902	1	Vehicle Control Harness
2	52395	1	Spreader Module, 3-Post	6	78399	1	Spinner Motor Harness Rev Pin-Out
3	72096	1	Spreader Harness, 6-Pin				
4	72094	1	Vehicle Harness, 6-Pin	7	69893	1	10-Pin Connector w/4 Wires
Item 1				52465 Spreader Control Kit			
10	52467	1	Spreader Control	14		2	1/4-20 x 1/2 Pan Head Machine Screw SS – Black
11	52345	1	Control Bracket Kit	15		2	1/4 Shoulder Washer SS – Black
12		3	#10 x 3/8 Pan Head Tapping Screw SS	16		2	1/4 Lock Washer SS
13		4	#8 x 3/8 Pan Head Machine Screw	17		2	1/4-20 Hex Nut G5 – Black
SS = Stainless Steel				G = Grade			



TrynEx International
531 Ajax Drive
Madison Heights, MI 48071-2429
www.snowexproducts.com

 A DIVISION OF DOUGLAS DYNAMICS, LLC

Copyright © 2017 Douglas Dynamics, LLC. All rights reserved. This material may not be reproduced or copied, in whole or in part, in any printed, mechanical, electronic, film, or other distribution and storage media, without the written consent of TrynEx International, LLC. Authorization to photocopy items for internal or personal use by TrynEx International, LLC, outlets or spreader owner is granted.

TrynEx International, LLC, reserves the right under its product improvement policy to change construction or design details and furnish equipment when so altered without reference to illustrations or specifications used. TrynEx International, LLC, or the vehicle manufacturer may require or recommend optional equipment for spreaders. Do not exceed vehicle ratings with a spreader. TrynEx International, LLC, offers a limited warranty for all spreaders and accessories. See separately printed page for this important information. The following is a registered (®) trademark of Douglas Dynamics, LLC: SnowEx®.

Printed in U.S.A.